



PHOTOVOLTAIC MODULES

IS75P-IS95P-IS120P-IS150P



IS75P, IS95P, IS120P and IS150P photovoltaic modules are composed of 36 high efficiency polycrystalline cells, manufactured with the most innovative technologies of isotropic texturization and antireflecting coating.

Encapsulation of cells is made between a high-transmission tempered glass and a plastic. The encapsulant in Ethylene Vinyl Acetate (EVA) covers the photovoltaics cells within the laminate thus protecting them from etching. The texturization of the glass enables a maximum concentration and diffusion of the light on the solar cells.

This allows us to guarantee a high performance, power and working capability even in lower sunlight conditions. The Tedlar backside contributes to a further protection of the module against the action of climatic agents like humidity and dust, and provides a total electrical isolation.

FEATURES

- √ IS75P, IS95P, IS120P and IS150P use a pre-holed transparent reinforced anodized aluminium frame, providing an easy installation of the module.
- √ IP 65 watertightness degree. The modules are totally sealed to prevent water ingress.
- √ Certifications:
 - TÜV 11-PPV-0000108/05-W02-TIC.
 - CEI/EN 61215 Ed. 2.
 - CEI/EN 61730 1-2 (2007). **CE**
- √ High performance, even under low sunlight levels.
- √ Maximum concentration and diffusion of light on the solar cells.
- √ Cell protection through EVA encapsulation.
- √ Tedlar coating for a further protection of the module against humidity and dust, providing a total electrical isolation.
- √ IP 65 Tyco waterproof junction box fitted with 2 nos. by-pass diodes.

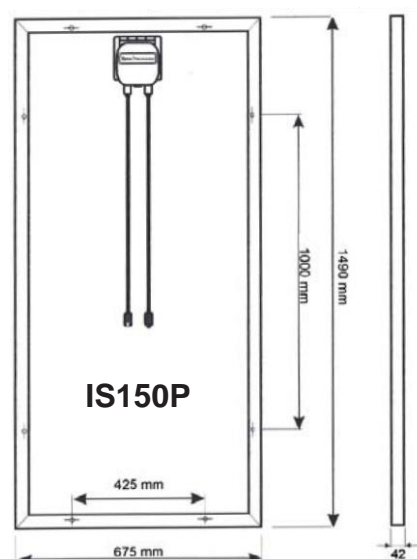
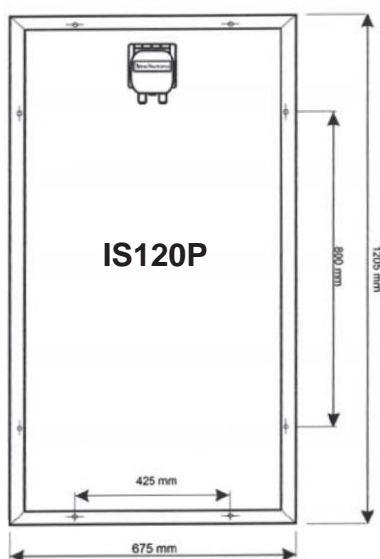
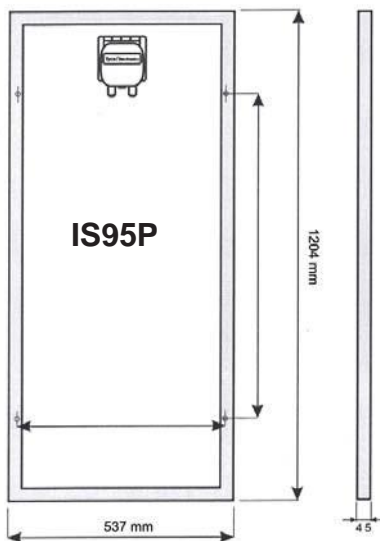
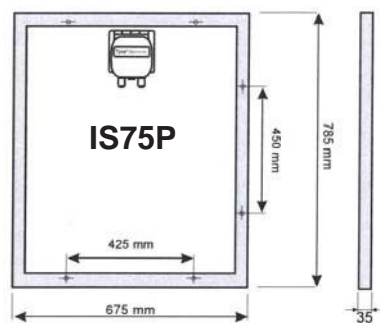


PHOTOVOLTAIC MODULES

IS75P-IS95P-IS120P-IS150P



Specifications subject to change without previous notice.



MODEL	Technical Data			
	IS75P	IS95P	IS120P	IS150P
Power	75 Wp	95 Wp	120 Wp	150 Wp
Nominal voltage	12,0V			
Maximum power current (Imp)	4.21 A	5.4 A	6.75 A	7.98 A
Short circuit current (Isc)	4.65 A	5.7 A	7.35 A	8.54 A
Open circuit current (Voc)	21.8V	22.3V	22.1V	22.5V
Maximum power voltage (Vmpp)	17.8V	17.7V	17.8V	18.8V
NOCT	(+/-2) 45°C			
Maximum system voltage	1,000V			
Temperature range	From -40° to +85°C			
Hail resistance	Up to 25 mm at 83 km/h			
Relative humidity	Up to 100%			
Dimensions (+/-2mm)	785x675x35	1204x537x45	1205x675x35	1490x675x42
Weight	8.3 kg	9.3 kg	9.3 kg	13 kg
Tolerance	+/-3%			